



DISC FILTER SCREW CONVEYOR SPARE PARTS FOR CELLECO™ CDI

Manufactured by **COMPOSITECH**

Customer Service, Superior Parts, Reliability

Compositech manufactures filters and quality replacement parts for a range of vacuum filters including drum filters, disc filters, belt press filters, and horizontal belt filters. We design performance optimizing products and parts for the Pulp and Paper Industry and provide critical disc saveall components.

Compositech regularly provides components for rebuilds of **Celleco™** CDI disc filters. One unique feature of the **Celleco™** CDI disc filter is the large diameter rotor which includes an internal collection repulper trough with a screw conveyor to process the thickened pulp. Compositech technicians have years of experience working with **Celleco™** disc filters and, with the benefit of that experience, we developed a set of replacement parts for the internal bearing end of the screw conveyor. All of our components meet or exceed the OEM design specifications and we have added a couple of time saving modifications. For our screw conveyor parts set, we pre-install the wear sleeve to the stub shaft and we add a jack screw port to the end cap to facilitate removal of the sleeve housing from the stub shaft and inner end.

Compositech's goal is to improve production capacity, minimize the potential for non-scheduled shutdowns, and reduce maintenance requirements for each of our customers. We ship machine-ready replacement parts for installation by your own crew or our service group is available for installations and filter overhauls.

Please call us for solutions to your filtration problems!

We supply Compositech replacement parts for Celleco™, Beloit Jones™, IMPCO™, Eimco®, Dorr Oliver®, Andritz, Komline-Sanderson and most other brands of filtration equipment. Our replacement parts are manufactured by and warranted by Compositech and they meet or exceed the material found in OEM components.

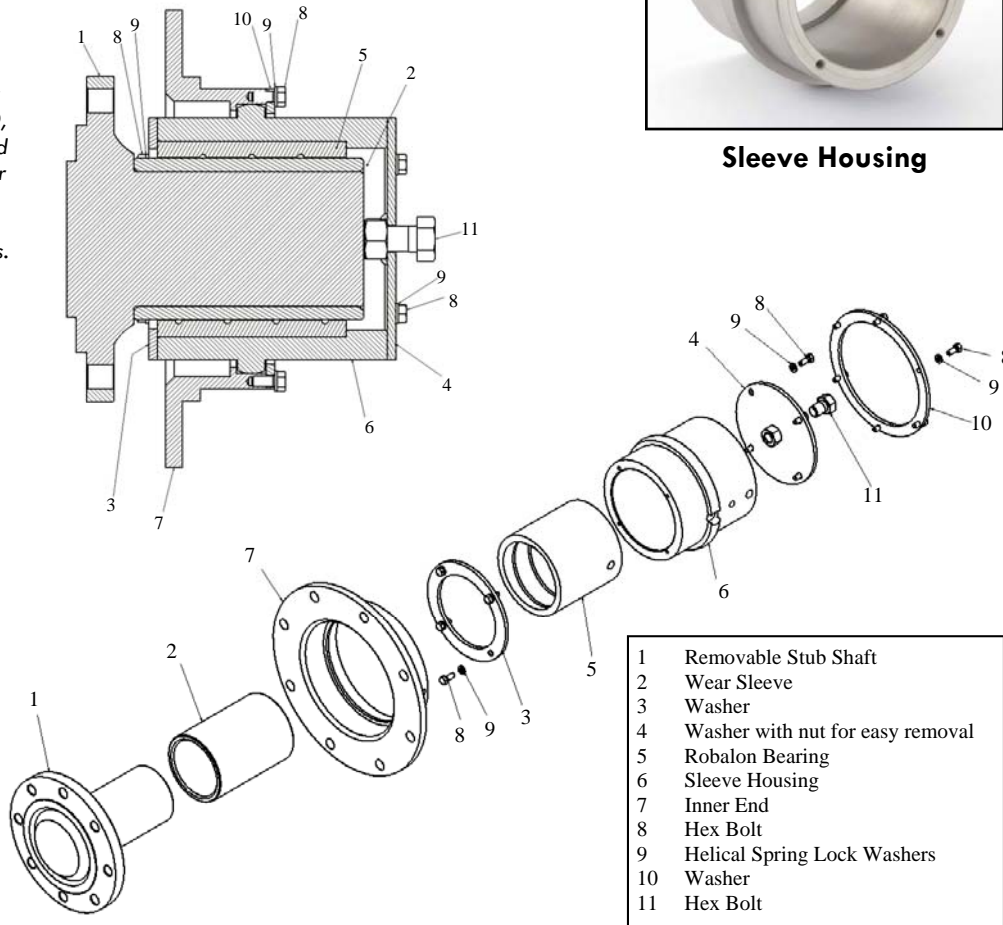
Compositech is not an authorized replacement parts or service supplier for GL&V®, Beloit Jones™, Celleco™, IMPCO™, Dorr Oliver®, or Eimco® brands of process equipment or parts therefore. Compositech is not associated with GL&V USA, Inc. or with FLSmidth A/S or their affiliated entities.



Removable Stub Shaft



Sleeve Housing



- | | |
|----|----------------------------------|
| 1 | Removable Stub Shaft |
| 2 | Wear Sleeve |
| 3 | Washer |
| 4 | Washer with nut for easy removal |
| 5 | Robalon Bearing |
| 6 | Sleeve Housing |
| 7 | Inner End |
| 8 | Hex Bolt |
| 9 | Helical Spring Lock Washers |
| 10 | Washer |
| 11 | Hex Bolt |



Physical Address:
4531 Main
Pearland, TX 77581

Mailing Address:
P.O. Box 2673
Pearland, TX 77588

Phone: 281-648-3557
Fax: 281-648-4515

Website: www.compositech-filters.com